

J599 series fiber optical connector

- Comply with GJB599A(MIL-DTL-38999)III series interface
- Different materials and plating of shell for different environments
- Five-keying for blind mating and error proof function
- Tri-thread quick coupling with anti-loosen structure
- Ceramic ferrule and sleeve for accurate mating
- Various accessory types
- Apply to the long distance transmission for electrical control room
- Enterprise standard: Q/21EJ



Main technical characteristics

Insertion loss: $\leq 0.6\text{dB}$ (≤ 4 cores), $\leq 0.75\text{ dB}$ (≥ 5 cores)

Working temp: $-40^{\circ}\text{C} \sim +80^{\circ}\text{C}$

Vibration: 10 Hz ~ 2000Hz, acceleration 147 m/s²

Shock: 980 m/s²

Endurance: 500 cycles

Tensile strength: $\geq 720\text{N}$ (diameter of multi-core cable $\geq 5\text{mm}$)

Salt spray (GJB1217): $\geq 500\text{h}$ (stainless steel, cadmium plating of aluminum alloy), $\geq 48\text{h}$ (nickel plating of aluminum alloy)

Note: Special connectors can be customized

Ordering information

[Part number of plugs]

Series	J599/	26	K	C	04	B1	N	41	- M7
Types	26: plug								
Plating	W: cadmium plating of aluminum alloy, olive green F: nickel plating of aluminum alloy K: stainless steel with passivation								
Shell #	11 13								
Code	B C								
Insert arrangement	See "Insert arrangement"								
Types of contacts	B1: fiber								
Keying	N: normal keying; A / B / C / D / E: special keying								
Design code	Blank: straight accessory for multi-core armored cable 41: straight accessory for multi-core armored cable								
Transmission mode	M: transmission mode of optical cable; S: single mode 9 / 125 μm ; M: multi-mode 62.5 / 125 μm MI: multi-mode 50 / 125 μm 7: the outer diameter of cable (unit: mm)								

[Part number of receptacles]

Series	J599/	20	K	C	04	A1	N	41	-M7
Types	20: flange receptacle								
Plating	W: cadmium plating of aluminum alloy, olive green F: nickel plating of aluminum alloy K: stainless steel with passivation								
Shell #	11	13							
Code	B	C							
Insert arrangement	see "Insert arrangement"								
Types of contacts	A1: fiber								
Keying	N: normal keying A / B / C / D / E: special keying								
Design code	31: straight accessory for multi-core armored cable 41: straight accessory for multi-core armored cable								
Transmission mode	M: transmission mode of optical cable; S: single mode 9 / 125 μ m, M: multi-mode 62.5 / 125 μ m Ml: multi-mode 50 / 125 μ m 7: the outer diameter of cable (unit: mm)								

Insert arrangement

Shell # 11 (B)	04 4-20#	02 2-16#
13 (C)	08 8-20#	04 4-16#

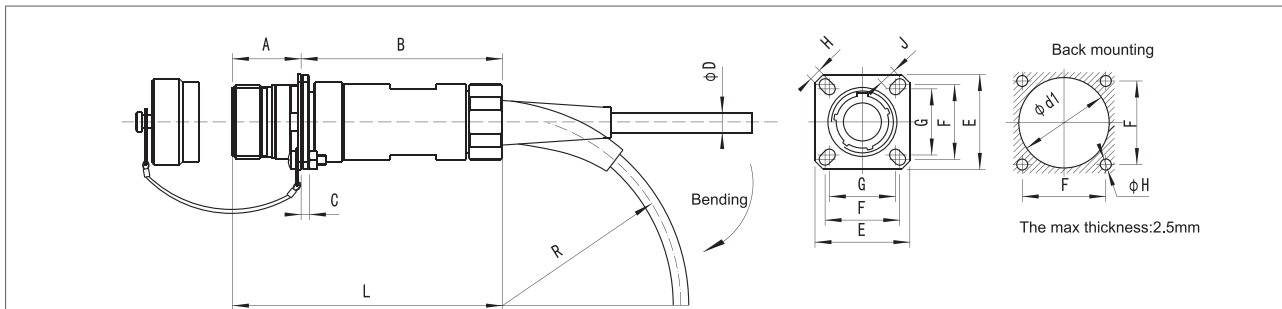
● 20# ● 16#

Outline dimensions

[Dimension of plugs with 41 code accessory]

<p>Notes: R = 10D (diameter)</p>	Shell #	MS shell #	Samples of arrangement	L	Armored cable
	11	B	02, 04	81	ϕ 7
	13	C	04, 08	81	ϕ 7

[Dimension of receptacles with 41 code accessory]



Notes: R = 10D (diameter)

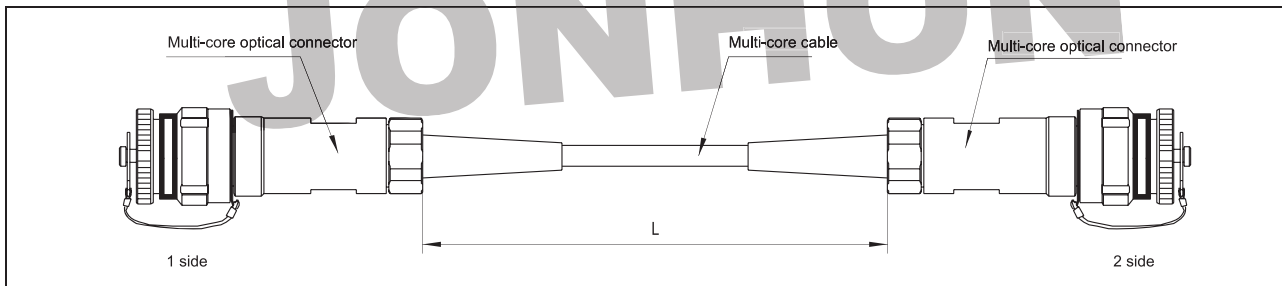
Shell #	MS shell #	A (max)	B	C (max)	L	E	F	G	H	J	d1 (min)
11	B	20.90	60	2.50	81	26.20	20.62	18.26	3.25	4.93	20.22
13	C	20.90	60	2.50	81	28.60	23.01	20.62	3.25	4.93	23.42

Notes: A means the length from mounting panel to interface

Ordering information of J599III series optical cable assemblies

[I-shape optical cable assembly]

Outline drawing



Notes: L means the length of cable (unit: m).

*Both sides are multi-core optical connector.

Ordering information

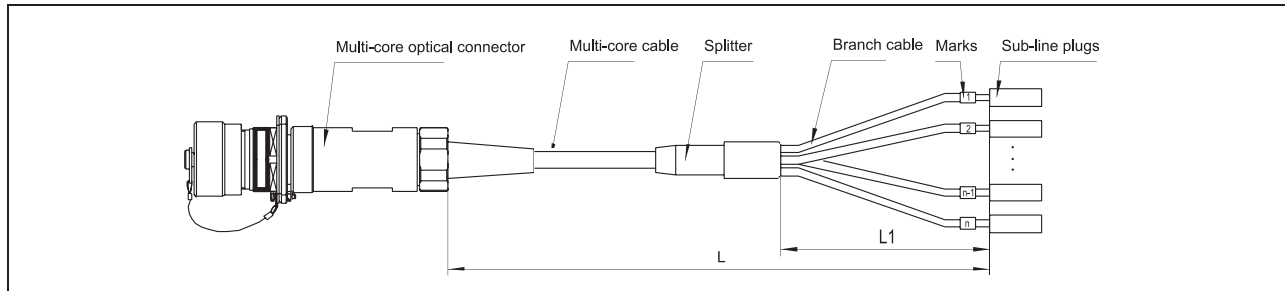
Side 1	J599/26KC04B1N41	- J599/26KC04B1N41	- C7 * 4	-M30
Side 2	Different connectors optional for 1 side & 2 side			
Feature	C: the code of optical cable 7 * 4: outer diameter(mm) * NO. of core			
Transmission mode	S: single mode 9 / 125 μm; M: multi-mode 62.5 / 125μm; MI: multi-mode50 / 125μm			
Cable length	30: the length (unit: m)			

[Example]

J599/26KC04B1N41- J599/26KC04B1N41-C7*4-M30: both sides are J599/26KC04B1N41 connectors, Φ7 4-core armored cable, multi-mode 62.5/125μm, 30m length.

[I-shape optical cable assembly]

Outline drawing



Notes: L means the customized length, L1 means the customized length of branch cable, the marks in branch cable and connectors should be the same.

*One side is a multi-core optic outdoor connector, the other side are branch indoor fiber optic plugs.

Ordering information

	J599/20KC04A1N41	- 4ST	- C7*4	- 2M25/0.3
Side 1	different connectors optional			
Side 2	4: the number ST: type of plug, (SC, LC, ST, FC optional)			
Feature	C: the code of optical cable 7 * 4: outer diameter(mm) * NO. of core			
Diameter of branch cable, transmission mode, the whole cable and branch cable length	2: diameter of branch cable (mm) S: single mode 9 / 125 μm, M: multi-mode 62.5 / 125μm, MI: multi-mode50 / 125μm 25: the whole cable length (unit: m) 0.3: branch cable length (unit: m)			

[Example]

J599/20KC04A1N41-4ST-C7*4-2M25/0.3: one side is a 599/20KC04A1N41 receptacle, the other side are 4 ST plugs, Φ7 4-core armored cable, multi-mode 62.5 / 125μm, the whole cable is 25m and has four 0.3m Φ2 tube branch cables

Optical communication solutions

[Link type 1]

